

VESON®

VS系列拨叉式气缸/液压缸

VS Series Scotch Yoke Type Pneumatic & Hydraulic Actuator



产品特性 Advantages

防水保护 Water Ingress Protected

箱体、箱盖等处装有O形圈，阻止外界的水分进入驱动装置内。
O-Rings are fitted on bodys, caps and so on , this ensures water ingress protected.

标准化的附件安装尺寸 Standardized Accessory Mounting

所有VSF系列驱动装置顶部输出附属连接均符合NAMUR标准，方便标准的电器附件安装操作。

The shaft driven accessory interface conforms to NAMUR and is identical on all VSF Series models , allowing standardization of accessory mounting hardware and installation practices.

耐磨 Wear Resistance

经过优良表面处理的活塞杆及导向杆与自润滑的轴承组合，保证优良的耐磨性，延长所有滑动零件的使用寿命。

The guide rod and piston rod have an advanced surface treatment , which combined with self-lubricating bearings, provides superior wear resistance and extends the life of all sliding components.

传动效率高 High Efficiency

经过精磨的活塞杆、导向杆以及自润滑的轴承保证最大限度地输入的动力传递给阀门，大大提高传动效率，同时使得活塞杆的径向载荷最小。

The pistont rod and guide block connection, superior surface finishes and self-lubricating bearings maximize input energy transfer directly to the valve stem, efficiency is further enhanced by the tension-loaded spring, minimizing radial loads on the piston rod.

防腐蚀 Corrosion Resistant

VSF 系列驱动装置喷涂了3层以上的防护涂层，满足了石化等环境的要求，气缸内表面喷涂有聚四氟乙烯涂层增加防腐蚀和自润滑性。

The VSF series actuators incorporate over 3 stages of internal and external coatings to resist severe weather, chemical and petroleum environments. The inner surface of cylinder is coated by PTFE, enhanced corrosion resistant and self-lubricating

ISO 标准连接尺寸 ISO Valve Mounting

VSF 系列驱动装置与阀门的连接尺寸在每一扭矩范围均符合ISO 标准的要求。

The VSF series actuators interface meets ISO standard, and meets the dimensional requirements of ISO defined for each torque range.

模块设计 Modular Design

VSF 系列驱动装置由传动、气缸、弹簧和侧面附属装置几个模块构成，这些模块在安装时方便拆装、交换和稳固。为了减少库存，各模块可以分别采购。

VSF series actuators have available, field-serviceable drive, power, spring and override modules, The modules are removable, serviceable and interchangeable while mounted to the valve. Modules are available for seperated purchase to reduce spareparts inventory.

安全弹簧模块 Safe Spring Module

为保证在安装和维护弹簧模块时操作者的安全，弹簧模块只能整体沿气缸模块轴线从驱动装置移出，避免弹簧力对人身和驱动装置的伤害。

To ensure the safety of personnel during installation and maintenance the spring module has been designed so that it can only be removed from the power module with the spring in the fully extended position. This prevents accidental release of the spring force, protecting personnel from injury and the actuator from damage.

应用 General Application

输出扭矩 Torque Outputs (guaranteed)

双动作 Double acting : 830~250000Nm

弹簧复位 Spring return end torques : 307~71753Nm

温度 Operating Temperatures

标准 Standard : -20°C~80°C

低温 Low Temperature : -40°C~80°C

高温 High Temperature : -20°C~120°C

操作压力 Operating Pressures

气动 Pneumatic : 3~7 Bar

液动 Hydraulic : 100 Bar

结构特点 Design Features Offer Unique Benefits

1 弹簧安全 Safe Spring Lock

压缩后牢固封闭的弹簧模块，阻止弹簧模块从箱体处脱离。
Under load, the spring module is locked positively in place. This prevents spring module detaching from the body.

2 减少磨损 Reduced Wear

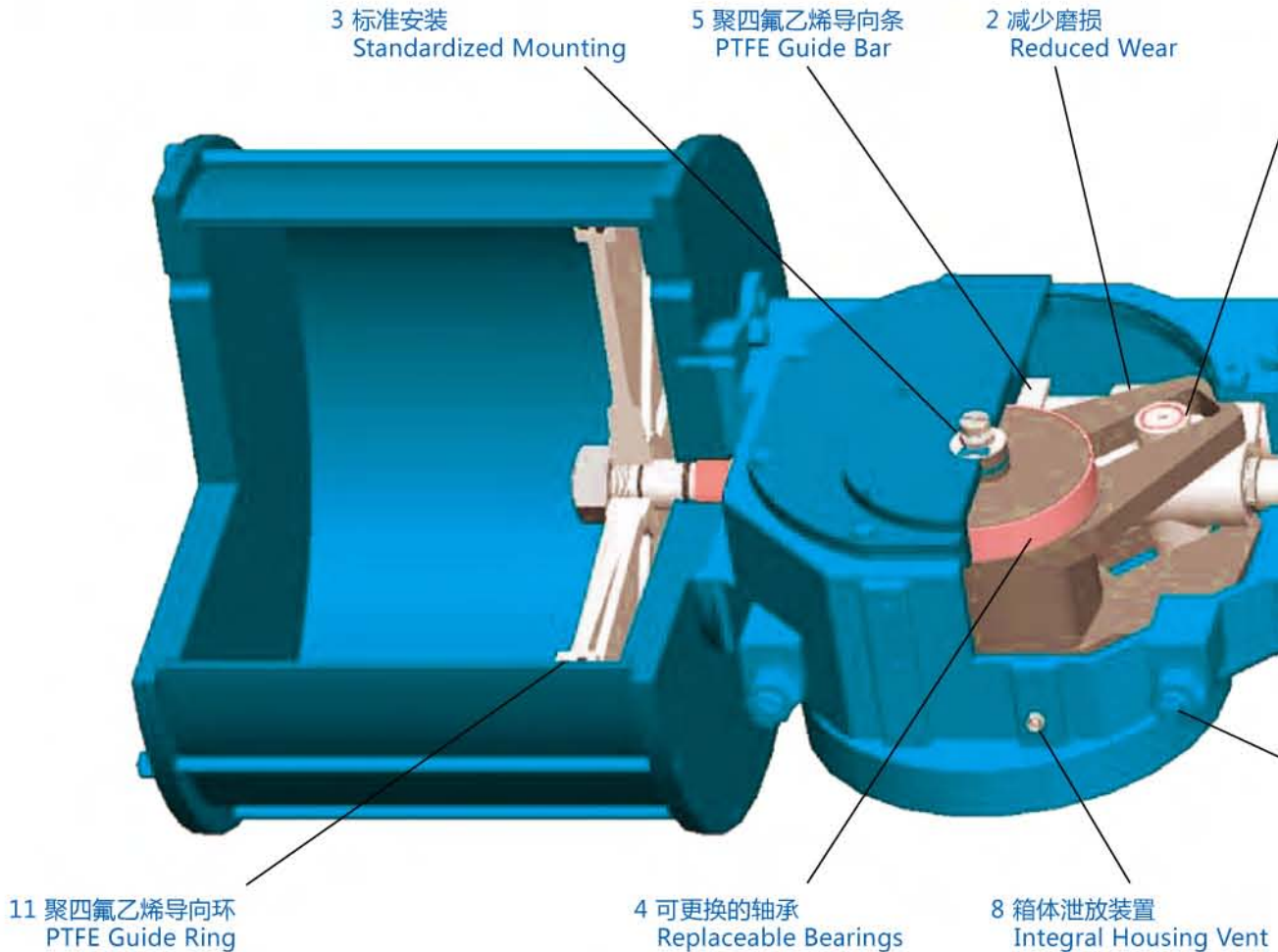
活塞杆在导向杆的支撑下，抵消了活塞的侧向载荷，减少活塞杆、轴承和密封件的磨损。

Connects the piston rod with the guide block, compensating for side load deflection and reducing wear on rod, bearings and seals.

5 聚四氟乙烯导向条 PTFE Guide Bar

聚四氟乙烯条阻止销轴的轴向移动将轴向载荷传递给驱动模块。

PTFE thrust bar prevents yoke pin axial movement, transferring axial loads directly to the drive module case.



3 标准安装 Standardized Mounting

采用NAMUR标准安装结构，适用多种标准化的附件安装。
The NAMUR mounting configuration allows standardization of mounting hardware for a wide range of shaft driven accessories.

4 可更换的轴承 Replaceable Bearings

可更换的轴承不论在干燥的还是润滑条件下对滑动和旋转部件进行保护。

Replaceable bearings protect sliding and rotating components, with suitability for either dry or lubricated working conditions

6 弹簧模块用液压手动装置 Hydraulic Overrides For Spring Module

弹簧复位内藏式驱动装置不需要增加驱动装置的长度。

Inside hydraulic override cylinder module for spring-return models doesn't increase actuator length.

7 起吊方便 Easy Lifting

VSF25 及以上规格的驱动装置箱体上设置有4个吊装孔确保在运输、安装、移动中的安全。

VSF25 and larger models equipped with four lifting eyes for actuator's safe handling shipping, installation and removal.

8 箱体泄放装置 Integral Housing Vent

驱动装置的箱体上安装有检测阀用来泄放箱体内的压力同时阻止外界的异物或水进入驱动装置内。

The main actuator housing incorporates an integral check valve in order to release overpressure and preventing the ingress of foreign object and water.

10 滚套 Roller

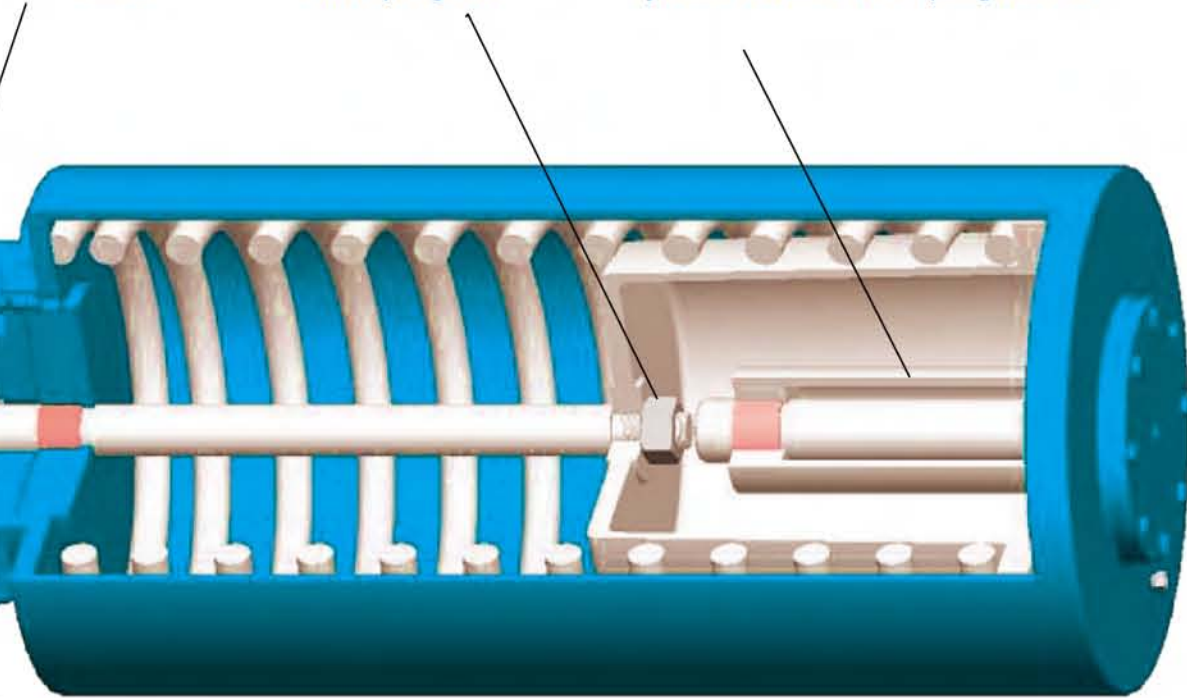
拨叉和销轴之间通过滚套连接，减少销轴和拨叉之间的摩擦和磨损。

Rollers are used to reduce the friction and wear between the yoke arm and pin.

10 滚套
Roller

1 弹簧安全
Safe Spring Lock

6 弹簧模块用液压手动装置
Hydraulic Overrides For Spring Module



9 行程80°to 100°可调
80°to 100° Travel Adjustment

9 行程80°to 100°可调 80°to 100° Travel Adjustment

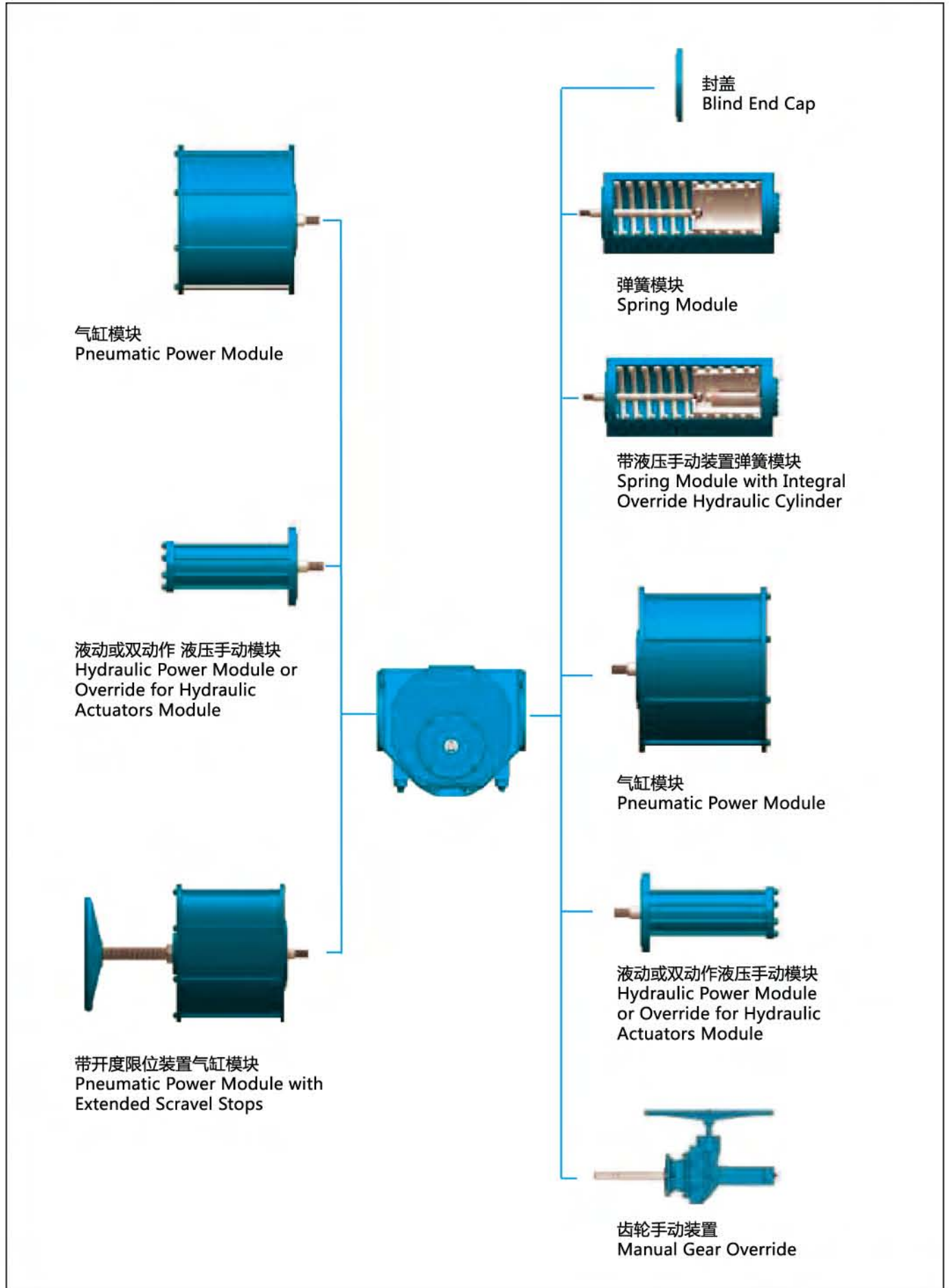
双向行程限位装置，满足驱动装置在80°~100°范围内可调。

Bi-directional travel stops integral to the actuator, the stops allow 80°to 100°total travel adjustment.

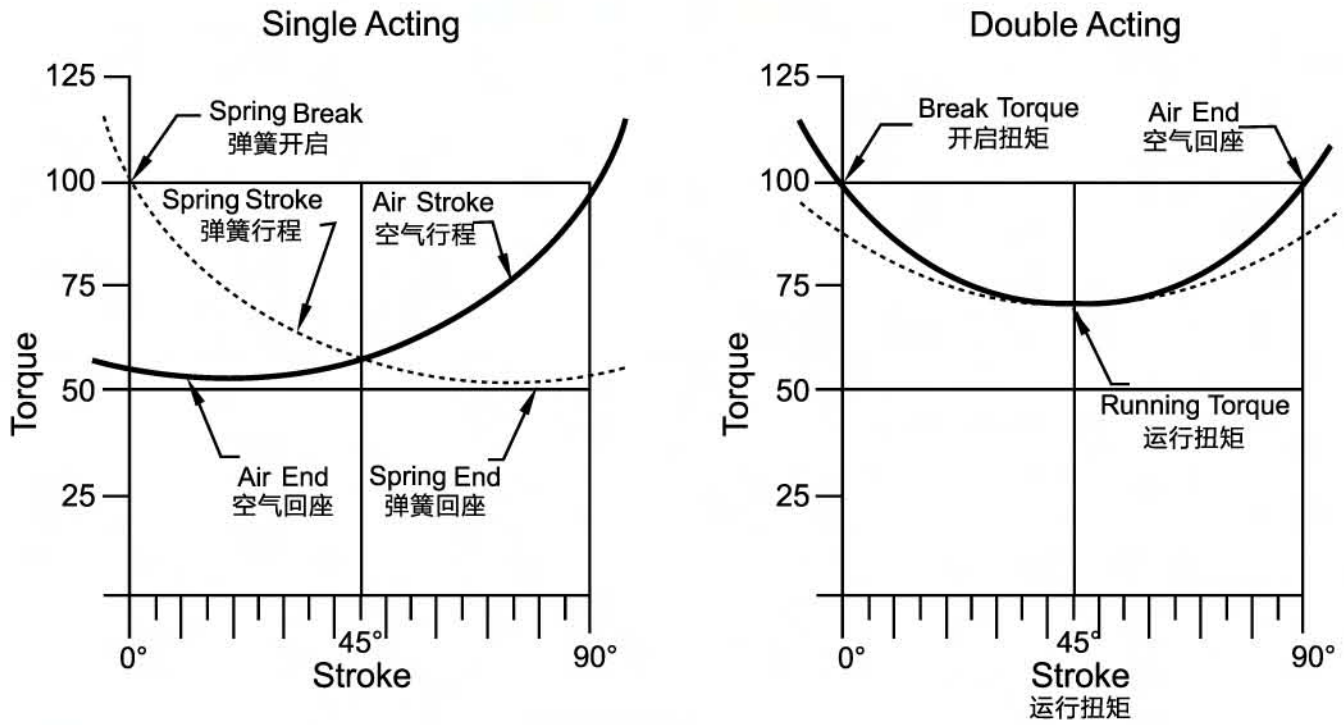
11 聚四氟乙烯导向环 PTFE Guide Ring

聚四氟乙烯导向环，避免活塞和气缸的金属面接触，使得气缸免受活塞划伤。

PTFE guide ring prevents metal to metal contact of piston and cylinder and protects the cylinder not be scratched by piston.



Torque Characteristics



扭矩测试 Torque Test

我公司购买了数显式扭矩测试台,能够精确地对驱动装置的输出扭矩进行测试,因此VSF 系列驱动装置可以提供整个运行过程中的实测输出扭矩表。

We have developed a unique digital torque tester which enables us to accurately measure an actuator's torque output, thus VSF series actuators can be supplied with a torque sheet , which details actual torque output throughout the actuator's travel range.



扭矩表 Torque Sheet

双动作型 Double Acting

Nm

型号 Model	传动模块最大允许扭矩 Max Torque of Drive Module	气源压力 Air Pressure									
		3Bar		4 Bar		5 Bar		6 Bar		7 Bar	
		起始 Break	运行 Run	起始 Break	运行 Run	起始 Break	运行 Run	起始 Break	运行 Run	起始 Break	运行 Run
VSF14-200-DA	2000Nm	830	504	1107	672	1384	839	1660	1007	1937	1175
VSF14-250-DA		1298	787	1730	1049	2163	1312				
VSF14-300-DA		1861	1129								
VSF16-250-DA	4000Nm	1622	984	2163	1312	2704	1640	3245	1968	3786	2296
VSF16-300-DA		2336	1417	3115	1889	3894	2362				
VSF16-350-DA		3180	1929	4240	2572						
VSF25-350-DA	8000Nm	3926	2381	5235	3175	6543	3969	7852	4763		
VSF25-400-DA		4984	3023	6646	4031	8307	5039				
VSF25-450-DA		6309	3827	8412	5103						
VSF30-450-DA	16000Nm	7710	4677	10280	6236	12580	7631	15420	9354		
VSF30-500-DA		9519	5774	12693	7700	15866	9625				
VSF30-550-DA		11519	6988	15359	9317						
VSF35-550-DA	32000Nm	14660	8893	19547	11858	24433	14822	29320	17787	34207	20752
VSF35-600-DA		17447	10584	23263	14112	29078	17640	34894	21169		
VSF35-700-DA		23748	14407	31664	19209						
VSF40-600-DA	63000Nm					35310	21421	42373	25706	49435	29990
VSF40-700-DA				38449	23325	48062	29157	57674	34988	67286	40820
VSF40-800-DA		37664	22849	50219	40366	62774	38082				
VSF48-800-DA	125000Nm					73852	44803	88623	53764	103393	62725
VSF48-900-DA				74775	45363	93468	56703	112162	68044	130856	79385
VSF48-1000-DA		69237	42003	92316	56005	115395	70006				
VSF60-800-DA	250000Nm							119641	72582	139581	84679
VSF60-900-DA				100947	61241	126183	76551	151420	91861	176657	107171
VSF60-1000-DA		93469	56704	124626	75606	155782	94507	186939	113409	218095	132310
VSF60-1100-DA		113097	68612	150797	91483	188496	114354	226195	137224	263894	160095

弹簧复位型 Spring Return Acting (SR3 气源压力3Bar 用弹簧 Spring For Air Pressure is 3Bar)

Nm

型号 Model	传动模块最大允许扭矩 Max Torque of Drive Module	弹簧起点 Spring break	弹簧终点 Spring end	气压起点 Air break	气压终点 Air end
VSF14-200-SR3	2000Nm	511	307	523	318
VSF14-250-SR3		789	506	791	508
VSF14-300-SR3		1079	674	1194	790
VSF16-250-SR3	4000Nm	1092	607	1014	529
VSF16-300-SR3		1434	892	1444	902
VSF16-350-SR3		1896	1227	1953	1283
VSF25-350-SR3	8000Nm	2249	1470	2346	1567
VSF25-400-SR3		2996	1895	3089	1903
VSF25-450-SR3		3960	2534	3774	2348
VSF30-450-SR3	16000Nm	4786	2889	4821	2924
VSF30-500-SR3		6044	3535	5984	3475
VSF30-550-SR3		6867	4349	7169	4651
VSF35-550-SR3	32000Nm	9180	5400	9260	5480
VSF35-600-SR3		11016	6378	11069	6430
VSF35-700-SR3		14449	8907	14840	9298
VSF40-600-SR3	63000Nm	13131	8114	13071	8054
VSF40-700-SR3		16359	10272	18564	12477
VSF40-800-SR3		21426	13666	23998	16238
VSF48-800-SR3	125000Nm	26619	16381	27930	17691
VSF48-900-SR3		33844	20827	35254	22237
VSF48-1000-SR3		45789	29097	40140	23447
VSF60-800-SR3	250000Nm	36800	22805	35799	21805
VSF60-900-SR3		47118	27842	47867	28592
VSF60-1000-SR3		63398	38261	55207	30071
VSF60-1100-SR3		78878	49217	63881	34219

扭矩表 Torque Sheet

弹簧复位型 Spring Return Acting (SR4 气源压力4Bar 用弹簧 Spring For Air Pressure is 4Bar)

Nm

型号 Model	传动模块最大允许扭矩 Max Torque of Drive Module	弹簧起点 Spring break	弹簧终点 Spring end	气压起点 Air break	气压终点 Air end
VSF14-200-SR4	2000Nm	679	436	671	428
VSF14-250-SR4		1079	674	1056	651
VSF14-300-SR4		1477	948	1544	1015
VSF16-250-SR4	4000Nm	1281	818	1345	882
VSF16-300-SR4		1896	1227	1888	1219
VSF16-350-SR4		2595	1629	2611	1645
VSF25-350-SR4	8000Nm	2996	1895	3193	2092
VSF25-400-SR4		3960	2534	4112	2686
VSF25-450-SR4		4955	2999	5412	3456
VSF30-450-SR4	16000Nm	6329	3820	6461	3952
VSF30-500-SR4		7929	4869	7824	4763
VSF30-550-SR4		9375	5824	9534	5983
VSF35-550-SR4	32000Nm	12297	7481	12066	7250
VSF35-600-SR4		14449	8907	14356	8813
VSF35-700-SR4		19069	11549	20114	12594
VSF40-600-SR4	63000Nm	16359	10272	17976	11888
VSF40-700-SR4		21426	13666	24782	17023
VSF40-800-SR4		30015	18757	31461	20203
VSF48-800-SR4	125000Nm	33844	20827	38254	25237
VSF48-900-SR4		45789	29097	45677	28986
VSF48-1000-SR4		57348	35200	57115	34968
VSF60-800-SR4	250000Nm	47118	27842	51918	32642
VSF60-900-SR4		63398	38261	62685	37548
VSF60-1000-SR4		78878	49217	75409	45747
VSF60-1100-SR4		95891	58177	92620	54906

弹簧复位型 Spring Return Acting (SR5 气源压力5Bar 用弹簧 Spring For Air Pressure is 5Bar)

Nm

型号 Model	传动模块最大允许扭矩 Max Torque of Drive Module	弹簧起点 Spring break	弹簧终点 Spring end	气压起点 Air break	气压终点 Air end
VSF14-200-SR5	2000Nm	789	506	877	594
VSF14-250-SR5		1345	815	1347	818
VSF14-300-SR5		1880	1206	1908	1235
VSF16-250-SR5	4000Nm	1553	1011	1692	1150
VSF16-300-SR5		2421	1455	2438	1472
VSF16-350-SR5		3194	2085	3215	2106
VSF25-350-SR5	8000Nm	3960	2534	3826	2400
VSF25-400-SR5		4955	2999	5309	3352
VSF25-450-SR5		6326	3726	6788	4188
VSF30-450-SR5	16000Nm	7929	4869	7892	4922
VSF30-500-SR5		9375	5824	10042	6490
VSF30-550-SR5		11426	7092	12106	7772
VSF35-550-SR5	32000Nm	14449	8907	15527	9984
VSF35-600-SR5		18185	10752	18327	10894
VSF35-700-SR5		23864	14109	25470	15715
VSF40-600-SR5	63000Nm	21426	13666	21644	13884
VSF40-700-SR5		30015	18757	29304	18046
VSF40-800-SR5		35425	21679	41095	27349
VSF48-800-SR5	125000Nm	45789	29097	44755	28063
VSF48-900-SR5		57348	35200	58269	36121
VSF48-1000-SR5		69602	42618	72776	45792
VSF60-800-SR5	250000Nm	63398	38261	61439	36302
VSF60-900-SR5		78878	49217	76967	47305
VSF60-1000-SR5		95891	58177	97605	59891
VSF60-1100-SR5		112369	71764	116733	76127

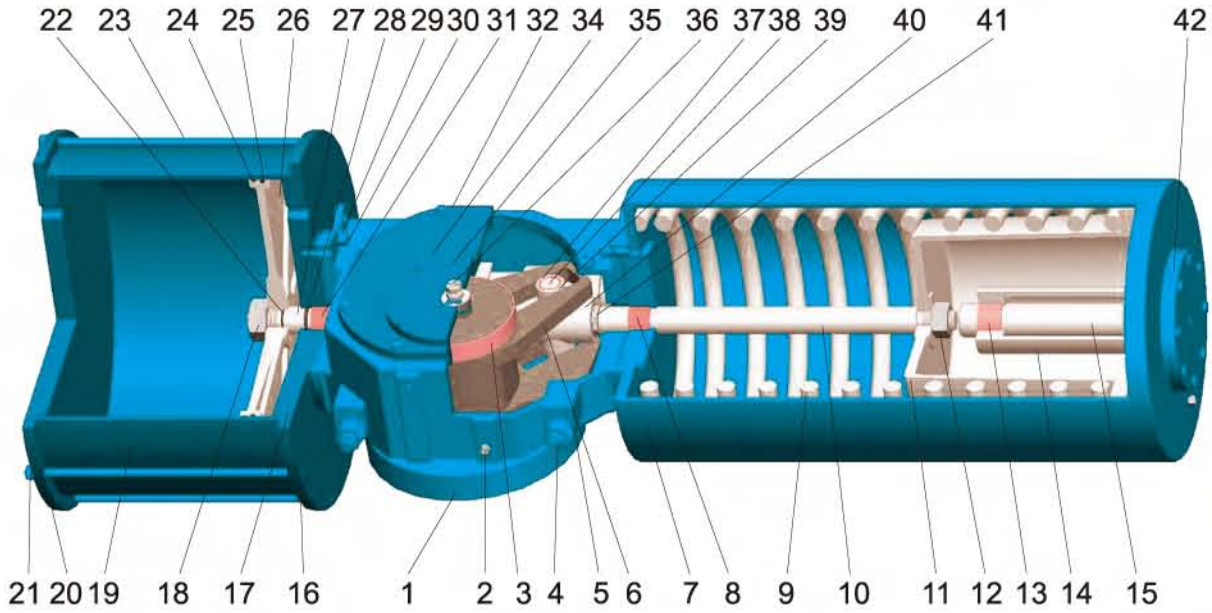
扭矩表 Torque Sheet

弹簧复位型 Spring Return Acting (SR6 气源压力6Bar 用弹簧 Spring For Air Pressure is 6Bar)

Nm

型号 Model	传动模块最大允许扭矩 Max Torque of Drive Module	弹簧起点 Spring break	弹簧终点 Spring end	气压起点 Air break	气压终点 Air end
VSF14-200-SR6	2000Nm	1028	623	1037	633
VSF14-250-SR6		1477	948	1648	1118
VSF14-300-SR6		2291	1458	2280	1447
VSF16-250-SR6	4000Nm	1896	1227	2018	1348
VSF16-300-SR6		2595	1629	3044	2077
VSF16-350-SR6		3858	2446	3914	2502
VSF25-350-SR6	8000Nm	4955	2999	4633	2677
VSF25-400-SR6		6326	3726	6243	3643
VSF25-450-SR6		8261	4720	7897	4357
VSF30-450-SR6	16000Nm	9375	5824	9598	6046
VSF30-500-SR6		11426	7092	11962	7613
VSF30-550-SR6		14080	8344	14694	8957
VSF35-550-SR6	32000Nm	18185	10752	18569	11136
VSF35-600-SR6		22471	12716	22179	12424
VSF35-700-SR6		28953	17288	30207	18543
VSF40-600-SR6	63000Nm	26630	16828	25544	15471
VSF40-700-SR6		35425	21679	35995	22248
VSF40-800-SR6		47742	29300	46029	28593
VSF48-800-SR6	125000Nm	57348	35200	5342	31275
VSF48-900-SR6		69602	42618	69545	42561
VSF48-1000-SR6		82680	51976	86497	55793
VSF60-800-SR6	250000Nm	78878	49217	70724	40762
VSF60-900-SR6		95891	58177	93243	55529
VSF60-1000-SR6		112369	71764	115175	74570
VSF60-1100-SR6					

组装图 Assembly Drawing



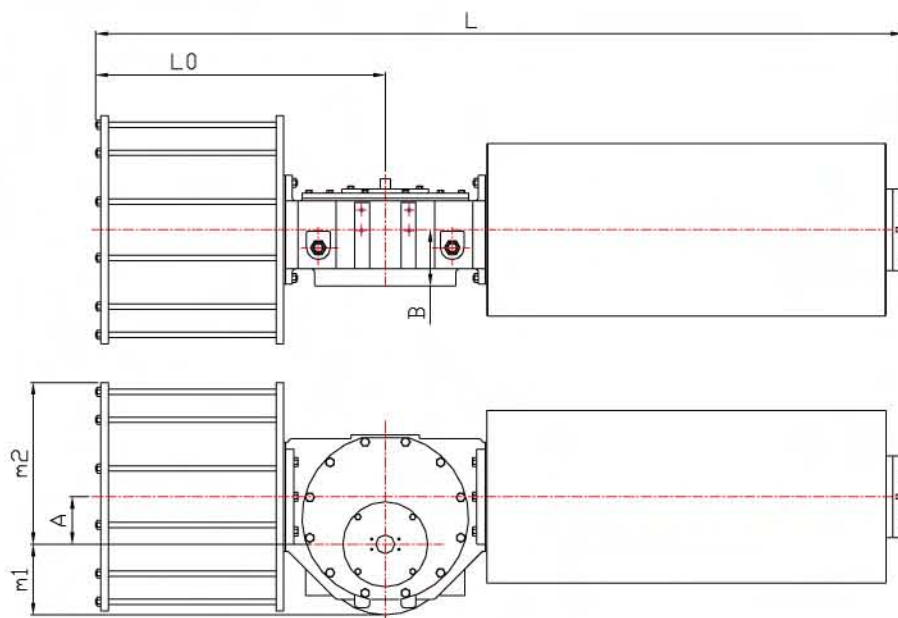
序号 No.	零件名称 Name	材质 Material	序号 No.	零件名称 Name	材质 Material
1	箱体 Body	球墨铸铁 Ductile Iron	22	O型圈 O-Ring	NBR
2	泄放阀 Vent Valve	碳钢 Carbon Steel	23	螺柱 Screw	合金钢 Alloy Steel
3	滑动轴承 Sliding Bearing	金属衬 TFE Metal+TFE	24	导向环 Guide Ring	PTFE
4	调节螺柱 Adjust Stud	合金钢 Alloy Steel	25	O型圈 O-Ring	NBR
5	螺母 Nut	2H	26	活塞 Piston	球墨铸铁 Ductile Iron
6	拨叉 Yoke	碳钢 Carbon Steel	27	活塞杆 Center Bar	合金钢 Alloy Steel
7	弹簧缸 Spring Case	碳钢 Carbon Steel	28	O型圈 O-Ring	NBR
8	滑动轴承 Sliding Bearing	金属衬 TFE Metal+TFE	29	双头螺柱 Stud	合金钢 Alloy Steel
9	弹簧 Spring	合金钢 Alloy Steel	30	螺母 Nut	2H
10	拉杆 Tension rod	合金钢 Alloy Steel	31	滑动轴承 Sliding Bearing	金属衬 TFE Metal+TFE
11	弹簧座 Spring Seat	碳钢 Carbon Steel	32	螺栓 Bolt	碳钢 Carbon Steel
12	螺母 Nut	2H	33	箱盖 Body Cap	球墨铸铁 Ductile Iron
13	滑动轴承 Sliding Bearing	金属衬 TFE Metal+TFE	34	螺栓 Bolt	碳钢 Carbon Steel
14	液压缸 Hydraulic Cylinder	碳钢 Carbon Steel	35	顶盖 Cover	球墨铸铁 Ductile Iron
15	液压活塞 Hydraulic Piston	碳钢 Carbon Steel	36	反馈轴 Drive Shaft	合金钢 Alloy Steel
16	隔板 Adapter	球墨铸铁 Ductile Iron	37	滚套 Roller	合金钢 Alloy Steel
17	O型圈 O-Ring	NBR	38	滑动轴承 Sliding Bearing	金属衬 TFE Metal+TFE
18	螺母 Nut	2H	39	销轴 Pin	合金钢 Alloy Steel
19	气缸 Cylinder	碳钢 Carbon Steel	40	导向块 Guide Block	球墨铸铁 Ductile Iron
20	端盖 End Cap	球墨铸铁 Ductile Iron	41	螺母 Nut	碳钢 Carbon Steel
21	螺母 Nut	2H	42	封盖 Cover Plate	碳钢 Carbon Steel

尺寸表 Dimension

弹簧复位型 Spring Return Acting

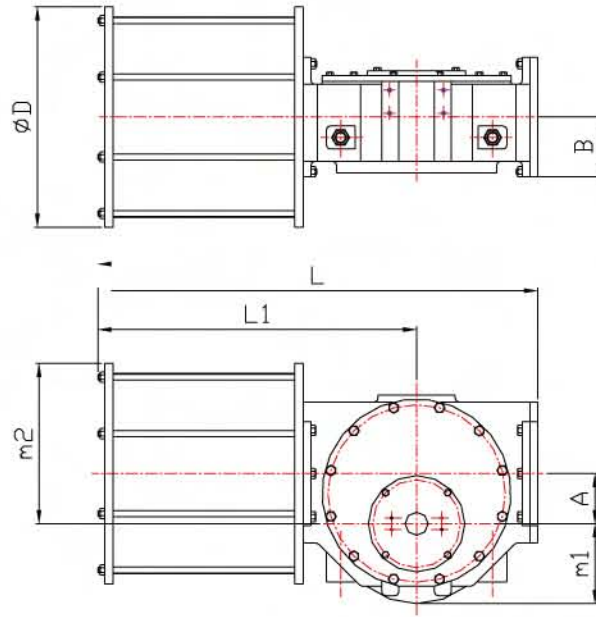
表中尺寸为弹簧范围4Bar 的尺寸，其余范围尺寸请与我公司技术部联系。

Dimensions in this sheet only for the spring return actuators which spring size is 4Bar, Others, Connect with our technology department Please.



型号 Model	连接法兰 Connection Flange	L	L0	m1	m2	A	B	D	进气口 Air Inlet	重量 kg
VSF14-200-SR4	F14	1105	449	87.5	187.5	60	88	255	3/8"	117
VSF14-250-SR4		1105	449	87.5	212.5	60	88	305	1/2"	156
VSF14-300-SR4		1125	449	87.5	237.5	60	88	355	1/2"	182
VSF16-250-SR4	F16	1289	499	105	222.5	70	92	305	1/2"	184
VSF16-300-SR4		1289	499	105	247.5	70	92	355	1/2"	209
VSF16-350-SR4		1318	499	105	272.5	70	92	405	1/2"	268
VSF25-350-SR4	F25	1576	556	150	292.5	90	104	405	1/2"	316
VSF25-400-SR4		1576	556	150	317.5	90	104	455	3/4"	355
VSF25-450-SR4		1674	556	150	350	90	104	520	3/4"	386
VSF30-450-SR4	F30	1807	662	175	370	110	130	520	3/4"	534
VSF30-500-SR4		1807	662	175	395	110	130	570	3/4"	609
VSF30-550-SR4		1807	662	175	420	110	130	620	3/4"	758
VSF35-550-SR4	F35	2005	817	207.5	450	140	165	620	3/4"	997
VSF35-600-SR4		2005	817	207.5	450	140	165	670	1"	1102
VSF35-700-SR4		2005	817	207.5	475	140	165	770	1"	1310
VSF40-600-SR4	F40	2695	960	237.5	505	170	200	670	1"	1230
VSF40-700-SR4		2695	960	237.5	555	170	200	770	1"	1420
VSF40-800-SR4		2695	960	237.5	607.5	170	200	875	1.1/2"	1865
VSF48-800-SR4	F48	3395	1130	280	637.5	200	210	875	1.1/2"	2340
VSF48-900-SR4		3395	1130	280	687.5	200	210	975	2"	2816
VSF48-1000-SR4		3585	1130	280	787.5	200	210	1075	2"	3380
VSF60-800-SR4	F60	4185	1380	343	707.5	270	230	875	1.1/2"	3170
VSF60-900-SR4		4185	1380	343	757.5	270	230	975	2"	3718
VSF60-1000-SR4		4750	1380	343	807.5	270	230	1075	2"	4230
VSF60-1100-SR4		4750	1380	343	857.5	270	230	1175	2"	4940

双动作型 Double Acting



型号 Model	连接法兰 Connection Flange	L	L1	m1	m2	A	B	D	进气口 Air Inlet	重量 kg
VSF14-200-DA	F14	594	449	87.5	187.5	60	88	255	3/8"	57
VSF14-250-DA		594	449	87.5	212.5	60	88	305	1/2"	69
VSF14-300-DA		594	449	87.5	237.5	60	88	355	1/2"	87
VSF16-250-DA	F16	679	499	105	222.5	70	92	305	1/2"	89
VSF16-300-DA		679	499	105	247.5	70	92	355	1/2"	108
VSF16-350-DA		679	499	105	272.5	70	92	405	1/2"	129
VSF25-350-DA	F25	766	556	150	292.5	90	104	405	1/2"	158
VSF25-400-DA		766	556	150	317.5	90	104	455	3/4"	202
VSF25-450-DA		766	556	150	350	90	104	520	3/4"	223
VSF30-450-DA	F30	922	662	175	370	110	130	520	3/4"	285
VSF30-500-DA		922	662	175	395	110	130	570	3/4"	325
VSF30-550-DA		922	662	175	420	110	130	620	3/4"	351
VSF35-550-DA	F35	1130	817	207.5	450	140	165	620	3/4"	427
VSF35-600-DA		1130	817	207.5	450	140	165	670	1"	463
VSF35-700-DA		1130	817	207.5	475	140	165	770	1"	542
VSF40-600-DA	F40	1320	960	237.5	505	170	200	670	1"	636
VSF40-700-DA		1320	960	237.5	555	170	200	770	1"	723
VSF40-800-DA		1320	960	237.5	607.5	170	200	875	1.1/2"	842
VSF48-800-DA	F48	1580	1130	280	637.5	200	210	875	1.1/2"	1073
VSF48-900-DA		1580	1130	280	687.5	200	210	975	2"	1335
VSF48-1000-DA		1580	1130	280	787.5	200	210	1075	2"	1560
VSF60-800-DA	F60	1960	1380	343	707.5	270	230	875	1.1/2"	1685
VSF60-900-DA		1960	1380	343	757.5	270	230	975	2"	1970
VSF60-1000-DA		1960	1380	343	807.5	270	230	1075	2"	2210
VSF60-1100-DA		1960	1380	343	857.5	270	230	1175	2"	2510

订购选型 Order Information

VSF Series

VSF30 - 500 - DA - 4 - 1 - HW - FC

- 1. Actuator Size: VSF14~VSF60
- 2. Cylinder Size: 200~1100
- 3. Actuator Type: DA-Double Acting Type
SR-Single Acting Type
- 4. Spring Size: 3-3bar, 4-4bar, 5-5bar, 6-6bar,
- 5. Seal Material: 0-NBR seal
1-HNBR Seal(Low Temperature)
2-Viton Seal(High Temperature)
- 6. Accessories: HW-Jack Screw Manual Override
EX-Extend Travel Stop
HY-Hydraulic Manual Override
- 7. Failure Position: (Single Acting Type Only)
FC-Failure Close; FO-Failure Open

VS Series

VS28 - DA - 1 - HW - FC

- 1. Actuator Size: VS13~VS70(130-700)
- 2. Actuator Type: DA-Double Acting
SRCW-Spring Return FCW
SRCCW-Spring Return FCCW
- 3. Seal Material: 0-NBR seal
1-HNBR Seal(Low Temperature)
2-Viton Seal(High Temperature)
- 4. Accessories: Blank-None
HW-Jack Screw Manual Override
HY-Hydraulic Manual Override
- 5. Failure Position: (Spring Return Type Only)
FC-Failure Close; FO-Failure Open

Note :

- *1. The jackscrew manual override is only available in single acting actuator.
- *2. The hydraulic manual override is available in all actuators.